

Application scenarios

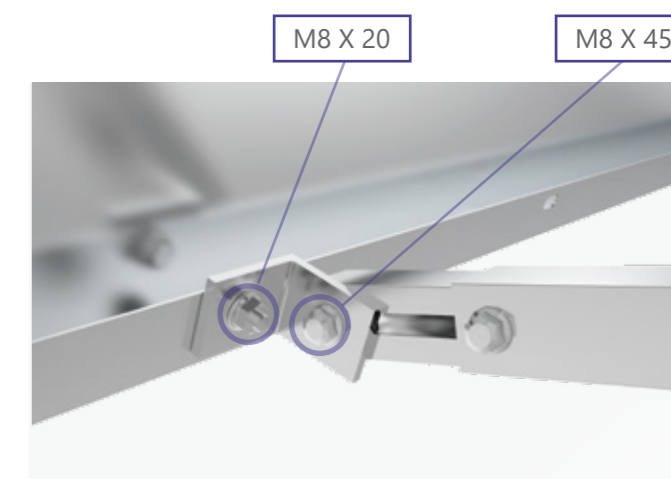
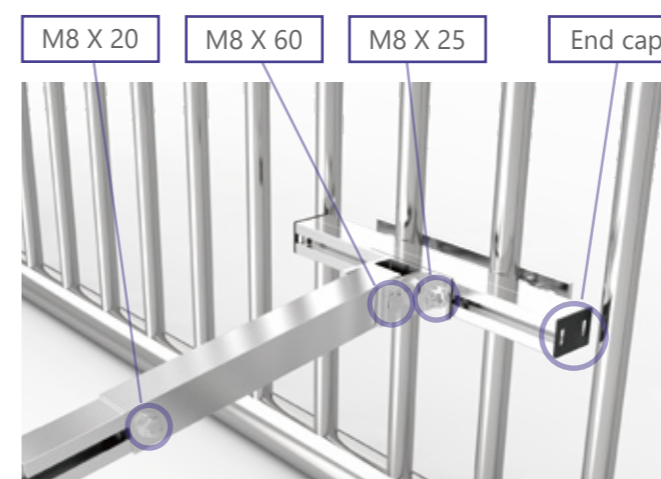
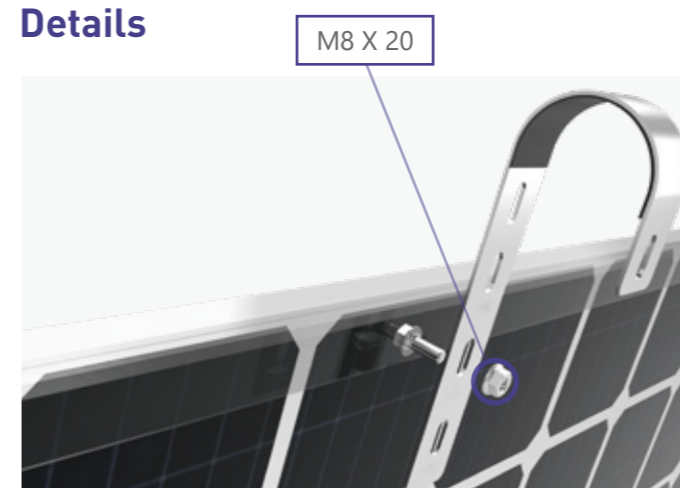


Fixed on balcony with 0°



Fixed on balcony with adjustable tilt
10°-30°

Details



Balcony Easy Solar Bracket –BC (V2.0)



- Flexible fixing method, can be placed on the balcony with railing or wall.
- Highly anti-corrosion 6005-T5 aluminum alloy and robust 304 stainless steel.
- Completely pre-assembled, simply unfolded and secured to the balcony for installation.

Parameters

Material: AL6005-T5, SUS304

Length of solar module (mm): No size limit

Thickness of solar module (mm): No size limit
(30 or 35 when the angle is 0°)

Gross weight per bracket (kg): ≈2.48kg

Width of solar module (mm): No size limit

Adjustable angle range: 0° or 10°-30°